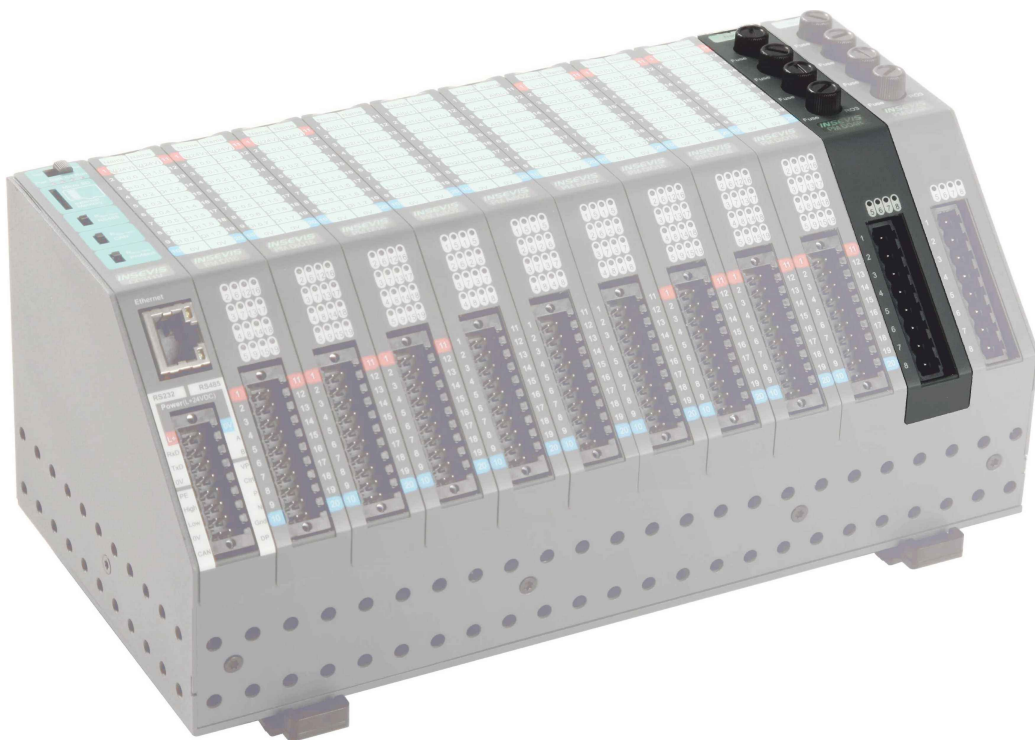


Product Information

Periphery module

PM DO4-R



(valid from 06/2012)

Changes to older versions of this document

Changed in Rev. 4: connectors, new design line
Changed in Rev. 5: information for disposal of old equipment

Description

compact periphery module
for 4 relay outputs 230V AC

- 4 potential separated contacts
- 4 glass bulb fuses 5x20mm (1 for each relay)
- insertion stripe for 2 name fields
- green diagnostic LED for each output
- screwed contact connector

Note:
Because of the fuses position this module is to be placed in the 3 very right slots only..

(Other positions are more than 3 modules possible on request.)

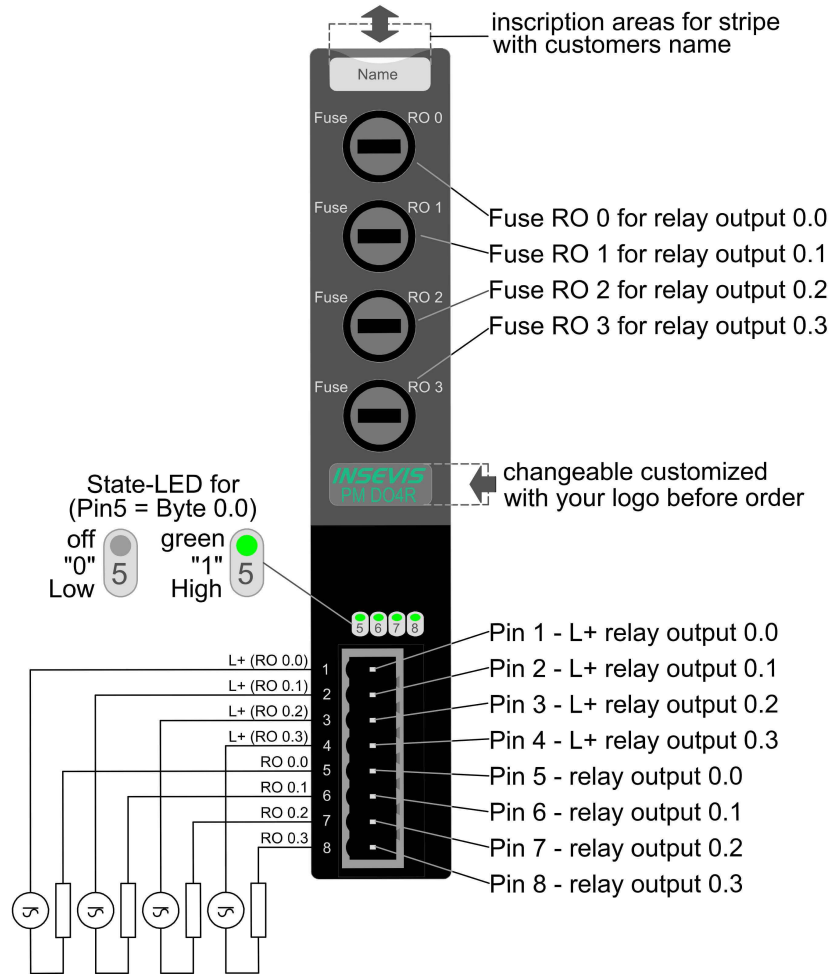


Figure above: Description and wiring of all connections of periphery module DO4-R

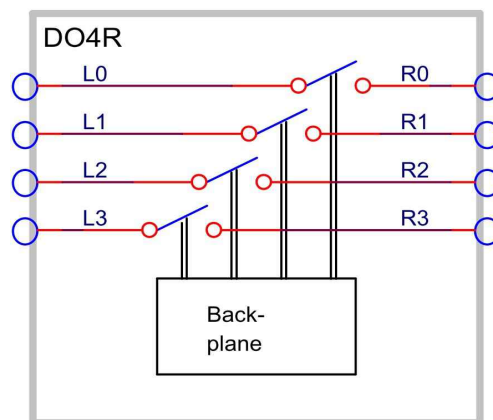


Figure above: Block diagram of DO4-R

Input	
Start address:	<input type="text" value="0"/>
End address:	<input type="text" value="0"/>
Output	
Start address:	<input type="text" value="8"/>
End address:	<input type="text" value="8"/>

Figure above: Configuration block of start-/end addresses of DO4-R (in byte) in the ConfigStage

Technical data	
Dimensions W x H x D (mm) Weight	20 x 108 x 70 mm ca. 150 g
Operating temperature range Storage temperature range	-20°C ... +60°C (without condensation) -30°C ... +80°C
Connection technology	unlockable connector (cage clamp technology) for cross section up to max. 1,5mm ²
Load voltage L+ Load voltage L+ on the relay Current consumption Power dissipation	24 V (17 V ... 30 V, connected by device supply) 30 V DC (max.), 250 V AC (max.) 45 mA from L+ (max.) 0,8 W at 24V (max.)
Wire length unshielded (max.) shielded (max.)	 30 m 100 m
Digital outputs Diagnostic LEDs	 4 4, green
Topography	4 potential separated contacts
Input delay Output delay	 5 ms ... 10 ms (typ.) 2 ms ... 5 ms (typ.)
Switching capacity of contacts at inductive load at ohmic load	 3A (max.) 3A (max.)
Max. switching frequency mechanical with load	 50 Hz 5 Hz
Typ. number of switching operations mechanical with 3A	 20Mio 100.000
Broken wire detection Error diagnostic Potential separation to PLC Short circuit proof	 no yes yes - melting fuse in glass bulbs 5x20mm

Ordering data module

Identification	Order-no.	Packaging unit
Periphery module DO4-R	PM-DO4R-02	PU: 1 piece
Connector 2x10pin	E-CON08-00	PU: 1 piece

Qualified personnel

All devices described in this manual may only be used, built up and operated together with this documentation. Installation, initiation and operation of these devices might only be done by instructed personnel with certified skills, who can prove their ability to install and initiate electrical and mechanical devices, systems and current circuits in a generally accepted and admitted standard.

Manuals, sample programs

Additional documentation by manuals is available as well sample applications at the download area of www.insevis.com in English language for free download.

Copyright

This and all other documentation and software, supplied or hosted on INSEVIS web sites to download are copyrighted. Any duplicating of these data in any way without express approval by INSEVIS GmbH is not permitted. All property and copy rights of these documentation and software and every copy of it are reserved to INSEVIS GmbH.

Trade Marks

INSEVIS refers that all trade marks of particular companies used in own documentation are reserved trade marks are property of the particular owners and are subjected to common protection of trade marks.

Disclaimer

All technical details in this documentation were created by INSEVIS with highest diligence. Anyhow mistakes could not be excluded, so no responsibility is taken by INSEVIS for the complete correctness of this information. This documentation will reviewed regularly and necessary corrections will be done in next version. With publication of this data all other versions are no longer valid.

Disposal



Do not throw old appliances in the household waste! In the interest of environmental protection, old appliances must be collected separately from unsorted municipal waste. You can find out more about the proper disposal / return of your old appliance at www.insevis.com/disposal.

■ Attention: The deletion of personal data on the old devices to be disposed of is the responsibility of the end user.

With publication of this information all other versions are no longer valid.